

13W LED Downlight

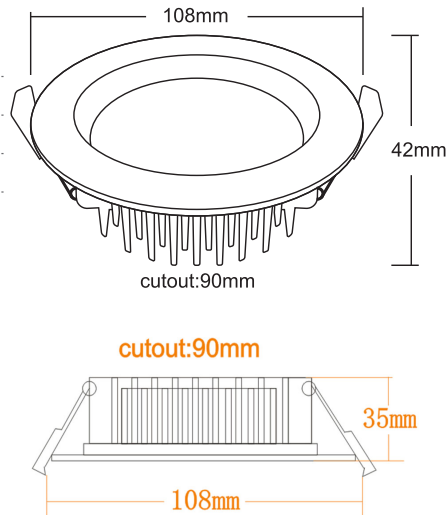
Technical Specifications

Material	Aluminium and PC
Housing Color	White/Silver/Satin nickel/Satin Chrome
CCT	3000K/4000K/5000K/6000K
Input Voltage	AC100-240V
PF	0.89-0.92
Efficiency	72-80lm/W
Light source	SMD5630
IP rate	IP44
Warranty	2years
Life span	50,000H
Certificates	SAA , C-Tick,CE,RoHS



Recessed Surface (RS)

Dimension



Flat Surface (FS)



Model NO.	Wattage	Voltage	CRI	Beam Angle	CCT	Lumens	Ceiling cut-out
ZAM-CL22-13W-RS ZAM-CL22-13W-FS	13W	AC100-240V	>80	90°	3000K/4000K/5000K/6000K	960lm±5%	90mm