

| -SERIES

ZAMTAS



RoHS
Compliant

IP65



5 YEAR
WARRANTY

LED HIGH BAY LIGHTS



Overview

The ZAMTAS® I-Series LED high bay lights are using LUMILEDS® LUXEON 3030 2D luminous source, providing excellent lumen output-up to 150LPW(LM/W) @125MA, long-lasting stability and splendid sight.

The ZAMTAS® I-Series LED high bay lights are using high-end LED driver with long lifespan. Provide 5 years warranty on luminaire.

Color Options

■ Matt White

LED LUMINOUS SOURCE



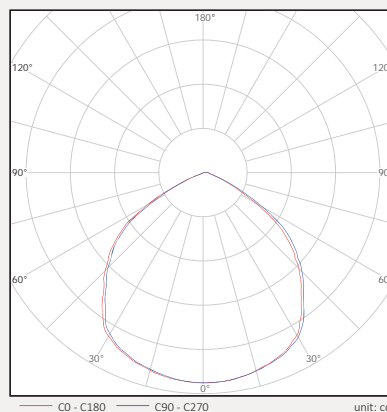
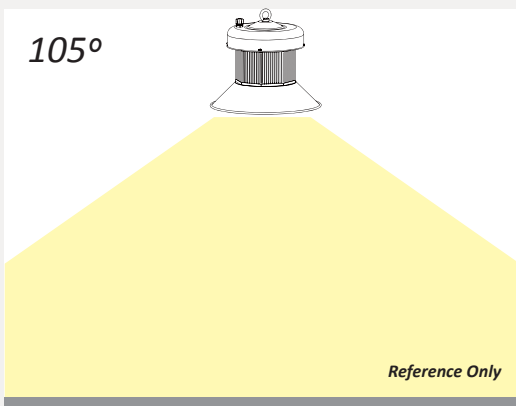
LED DRIVER

INVENTRONICS High-end programmable EBD Series LED driver, integrate dimming function and 6KV /10KV surge protection. Provide excellent performance and lifespan.



OPTIMAL HEAT RADIATION

Excellent thermal management system and heat radiation enable the LEDs consistently work cooler, providing significant boosts to lifetime and efficacy.

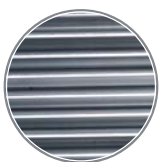


Beam Angle: 105°

Application:

1. Workshop, Warehouse
2. Gas Station
3. Area Lighting
4. Parking Garage

X-TREME LUMINAIRE DESIGN



Reasonable heat sink design, not only keep ventilation but also avoid laceration.



Detailed Features



Unique embossing lens and reflector design, better performance for industrial lighting.



Simple ring structure design, easy for suspended mounting.



Utilize M16 waterproof connectors to fix the input cable, avoid damage of hard power pulling



Neat inner cavity structure, ensure the thermal convection of LED driver.



Utilize Germany **WAGO**® connectors for output connections, safe, convenient and fast.



Entirely made in aluminium, not only exquisite appearance, but also no corrosion concerns.

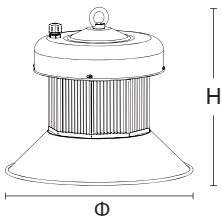
DETAILED FEATURES





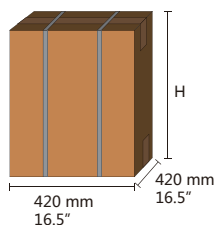
Product	ZAM-GCD75I	ZAM-GCD100I	ZAM-GCD125I	ZAM-GCD150I	ZAM-GCD200I																				
Nominal Wattage	75W	100W	125W	150W	200W																				
LED Working Current	145 mA	145 mA	145 mA	145 mA	145 mA																				
Length of heat sink	60 mm	110 mm	135 mm	190 mm	240 mm																				
Input Voltage	200-240V /277V AC, 50/60Hz	200-240V /277V AC, 50/60Hz	200-240V /277V AC, 50/60Hz	200-240V /277V AC, 50/60Hz	200-240V /277V AC, 50/60Hz																				
Dimming	0-5V, 0-10V, PWM, Timer	0-5V, 0-10V, PWM, Timer	0-5V, 0-10V, PWM, Timer	0-5V, 0-10V, PWM, Timer	0-5V, 0-10V, PWM, Timer																				
LED Brand	PHILIPS LUMILEDS	PHILIPS LUMILEDS	PHILIPS LUMILEDS	PHILIPS LUMILEDS	PHILIPS LUMILEDS																				
LED Quantity	LUXEON 3030	LUXEON 3030	LUXEON 3030	LUXEON 3030	LUXEON 3030																				
Driver Brand	Inventronics Driver	Inventronics Driver	Inventronics Driver	Inventronics Driver	Inventronics Driver																				
Operating Temperature	-40 °C to +50 °C	-40 °C to +50 °C	-40 °C to +50 °C	-40 °C to +50 °C	-40 °C to +50 °C																				
Power Factor (PF)	> 0.95	> 0.95	> 0.95	> 0.95	> 0.95																				
Total Harmonic Distortion (THD)	< 20%	< 20%	< 20%	< 20%	< 20%																				
Lumen Output (+/- 5%)	7500 lm	10000 lm	12500 lm	15000 lm	20000 lm																				
Beam Angle	105°	105°	105°	105°	105°																				
CRI	Minimum 70 CRI	Minimum 70 CRI	Minimum 70 CRI	Minimum 70 CRI	Minimum 70 CRI																				
CCT	<table border="1"> <tr> <td>3000K</td> <td>4000K</td> </tr> <tr> <td>5000K</td> <td>5700K</td> </tr> </table>	3000K	4000K	5000K	5700K	<table border="1"> <tr> <td>3000K</td> <td>4000K</td> </tr> <tr> <td>5000K</td> <td>5700K</td> </tr> </table>	3000K	4000K	5000K	5700K	<table border="1"> <tr> <td>3000K</td> <td>4000K</td> </tr> <tr> <td>5000K</td> <td>5700K</td> </tr> </table>	3000K	4000K	5000K	5700K	<table border="1"> <tr> <td>3000K</td> <td>4000K</td> </tr> <tr> <td>5000K</td> <td>5700K</td> </tr> </table>	3000K	4000K	5000K	5700K	<table border="1"> <tr> <td>3000K</td> <td>4000K</td> </tr> <tr> <td>5000K</td> <td>5700K</td> </tr> </table>	3000K	4000K	5000K	5700K
3000K	4000K																								
5000K	5700K																								
3000K	4000K																								
5000K	5700K																								
3000K	4000K																								
5000K	5700K																								
3000K	4000K																								
5000K	5700K																								
3000K	4000K																								
5000K	5700K																								
Rating	IP65	IP65	IP65	IP65	IP65																				
Heat Radiator	Stretched Aluminium Alloy	Stretched Aluminium Alloy	Stretched Aluminium Alloy	Stretched Aluminium Alloy	Stretched Aluminium Alloy																				
Lens	Tempered Glass	Tempered Glass	Tempered Glass	Tempered Glass	Tempered Glass																				
Lumen Maintenance	> 100,000 hours -L70, @25 °C	> 100,000 hours -L70, @25 °C	> 100,000 hours -L70, @25 °C	> 100,000 hours -L70, @25 °C	> 100,000 hours -L70, @25 °C																				
Packaging Type	1 unit /ctn.	1 unit /ctn.	1 unit /ctn.	1 unit /ctn.	1 unit /ctn.																				

DIMENSION DATA



Nominal Wattage	75W	100W	125W	150W	200W
"Ø" Diameter	382 mm 15.0"	382 mm 15.0"	382 mm 15.0"	382 mm 15.0"	382 mm 15.0"
"H" Height	288 mm 11.3"	338 mm 13.3"	363 mm 14.3"	418 mm 16.5"	468 mm 18.4"
Weight	4.7 kg 10.4 lbs.	6.1 kg 13.4 lbs.	7.0 kg 15.4 lbs.	8.5 kg 18.7 lbs.	10.0 kg 22.0 lbs.

PACKAGING DATA



Nominal Wattage	75W	100W	125W	150W	200W
"H" Height	275 mm 10.8"	325 mm 12.8"	350 mm 13.8"	405 mm 16.0"	455 mm 18.0"
Weight	6.1 kg 13.4 lbs.	7.6 kg 16.8 lbs.	8.4 kg 18.5 lbs.	9.9 kg 21.8 lbs.	11.6 kg 25.6 lbs.

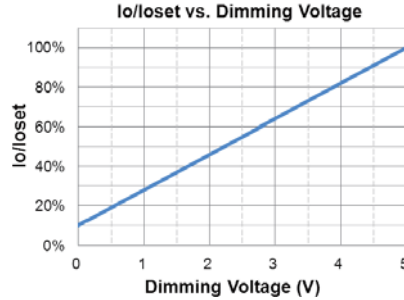
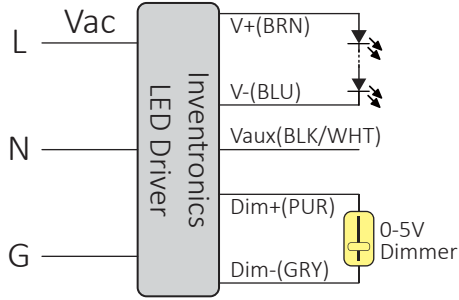


Dimming

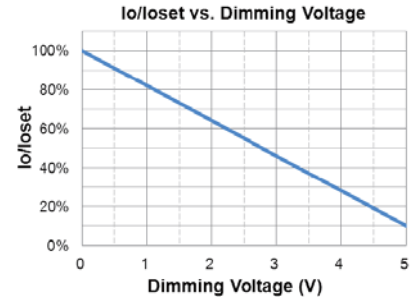
Multiple dimming functions are integrated (0-5V DC or 0-10V DC or PWM Signal or Timer).

† 0-5V Dimming

The recommended implementation of the dimming control is provided below.



Implementation 1: Positive logic



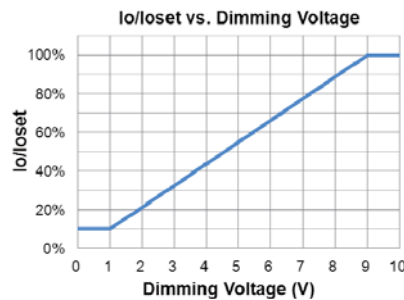
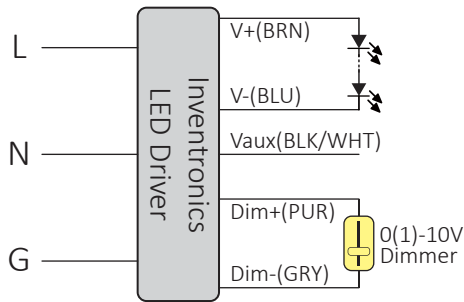
Implementation 2: Negative logic

Notes:

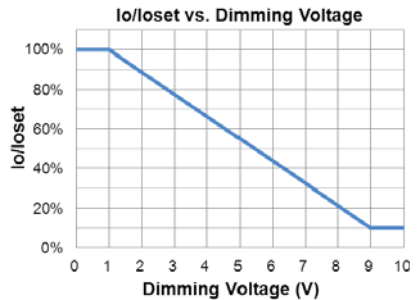
1. The dimmer can also be replaced by an active 0-5V voltage source signal or passive components like resistors and zener.
2. Do NOT connect Dim- to the output V- or V+, otherwise the driver will not work properly.
3. If 0-5V dimming is not used, Dim + should be open.
4. When 0-5V negative logic dimming mode and Dim+ is open, the driver will output maximum current.

† 0-10V Dimming

The recommended implementation of the dimming control is provided below.



Implementation 3: Positive logic



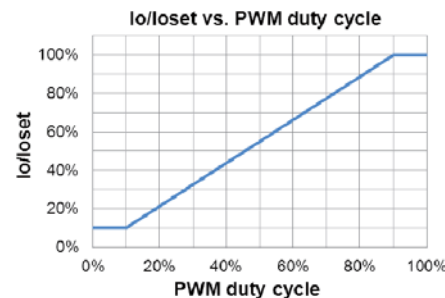
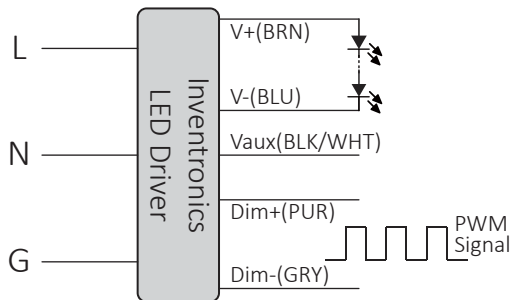
Implementation 4: Negative logic

Notes:

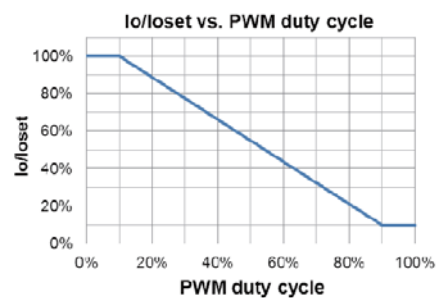
1. The dimmer can also be replaced by an active 0-10V voltage source signal or passive components like resistors and zener.
2. Do NOT connect Dim- to the output V- or V+, otherwise the driver will not work properly.
3. If 0-10V dimming is not used, Dim + should be open.
4. When 0-10V negative logic dimming mode and Dim+ is open, the driver will output maximum current.

† PWM Dimming

The recommended implementation of the dimming control is provided below.



Implementation 5: Positive logic



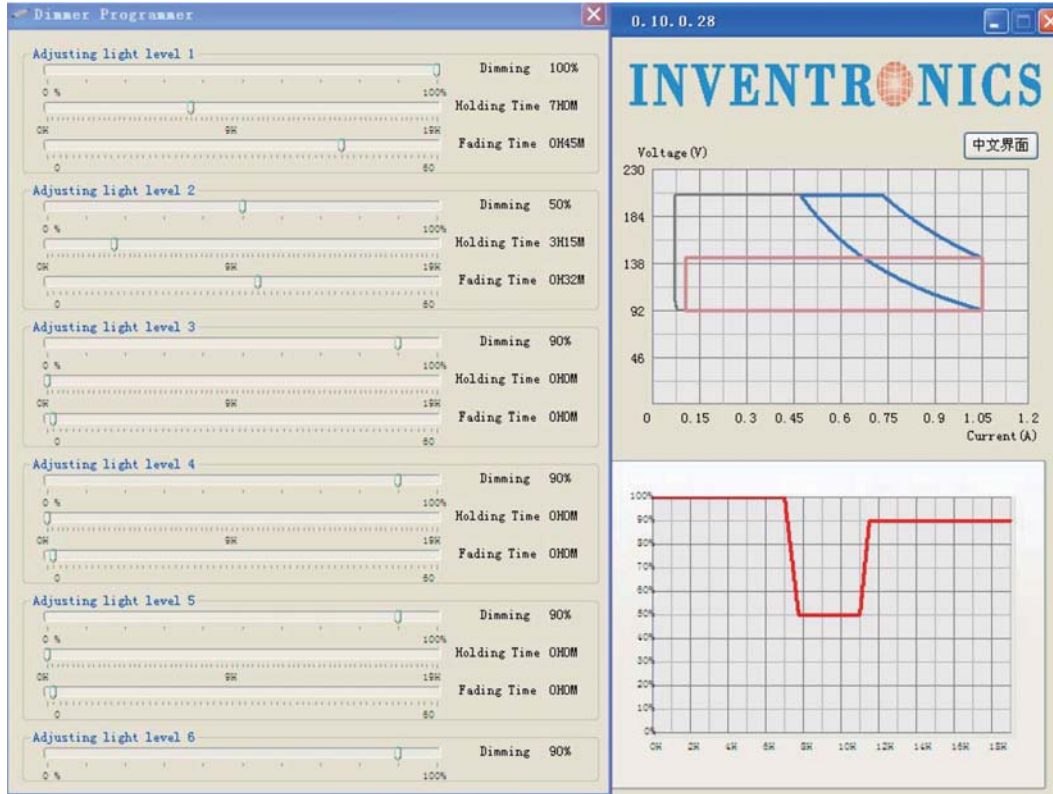
Implementation 6: Negative logic

Notes:

1. Do NOT connect Dim- to the output V- or V+, otherwise the driver will not work properly.
2. If PWM dimming is not used, Dim + should be open.
3. When PWM negative logic dimming mode and Dim+ is open, the driver will output maximum current.



† Time Dimming



(Setting Window)

Notes:

1. Time Dimming is required to program by computer (Microsoft Windows).
2. Set the timing curve by pulling the sliders.

AFTER-SALE SERVICE

ZAMTAS INTERNATIONAL PTY LTD (“ZAMTAS”) warrants this ZAMTAS branded hardware product against defects in materials and workmanship under normal use for a period of FIVE (5) YEAR from the date of purchase. ZAMTAS provides free repair or replacement within warranty period. ZAMTAS shall charge against defeats by abnormal storage, usage, connection or change the structure or any components of the product.

*Damage by thunder stroke over 10KV(L,N to FG) /6KV(L to N) will not covered by warranty based on IEC61000-4-5.

The product (LED lighting equipment, electrical, electronic equipment) should not be placed in municipal waste. Check local regulations for disposal of electronic products.

- Features and specifications are subject to change without notice.
- The product color may be different with actual due to discrepancy of camera or screen settings.

